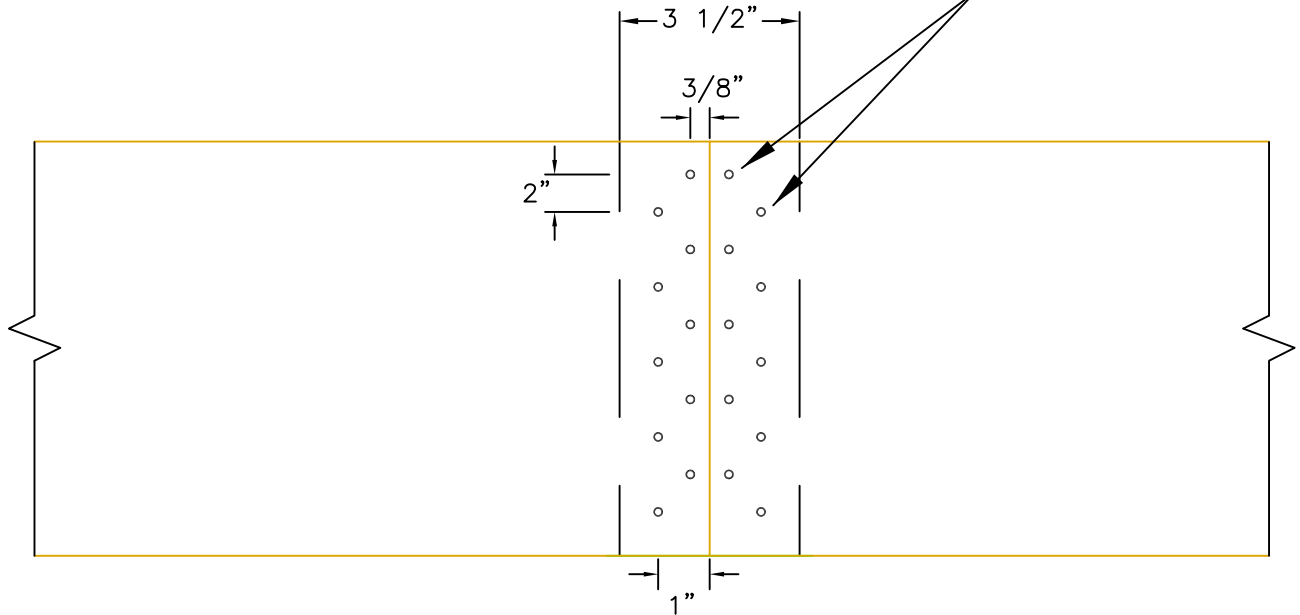


8d box (0.113) nails in two staggered rows, 2" o.c. both sides of joint.

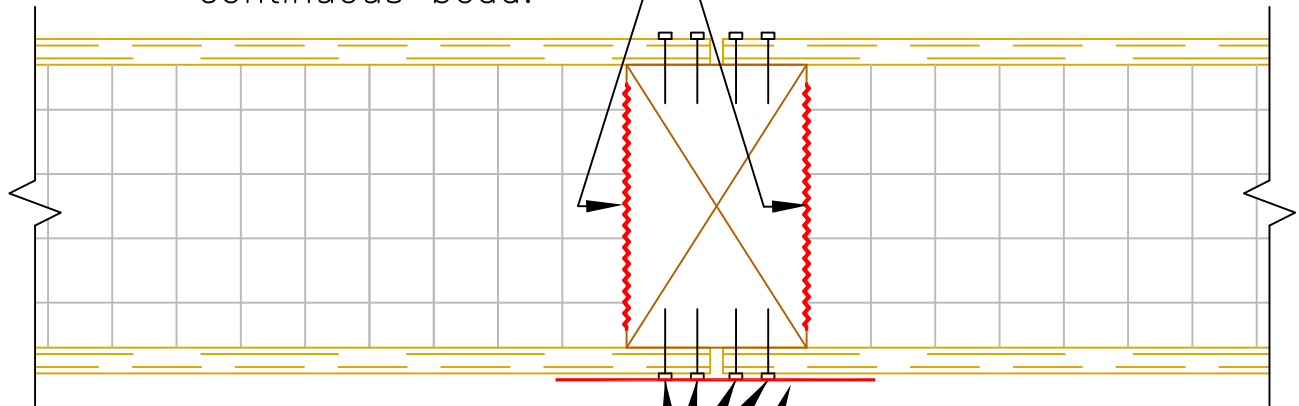


**PLAN**

Scale: NTS

R-Control Do-All-Ply  
1/2" diameter  
continuous bead.

Note: Use minimum grade  
Douglas-fir larch #2  
or equivalent.



8d box (0.113) nails  
in two staggered rows,  
2" o.c. both sides of joint,  
top and bottom.

SIP Tape or equivalent  
vapor retarder located  
interior or exterior  
per climate conditions  
or code requirement.

**SECTION**

Scale: NTS

Updated 1-16-12

R-Control® SIP

TITLE: Spline Connection  
4X - 2" o.c.

NO.  
SIP-102k